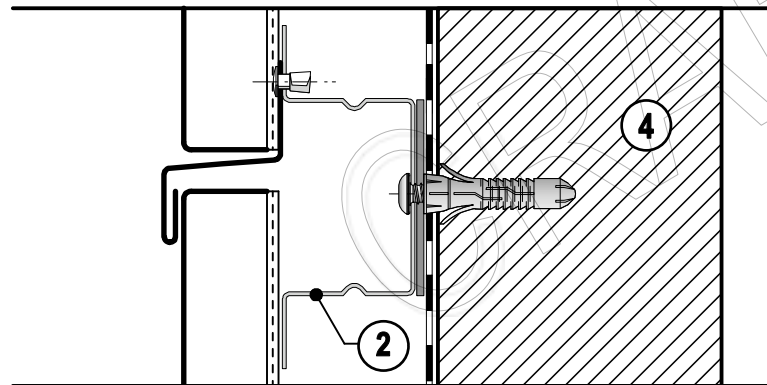


DETAIL A HORIZONTAL SECTION



DETAIL B VERTICAL SECTION

- ① RHEINZINK V25 PANELS
- ② 35mm TOPHAT SUBSTRUCTURE (STAINLESS STEEL)
- ③ SARKING
- ④ EXISTING WALL STRUCTURE

COPYRIGHT:

ALL RIGHTS STRICTLY RESERVED AND ALL DESIGNS REMAIN THE PROPERTY OF CRAFT METALS PTY LTD UNTIL FULLY ASSIGNED. REPRODUCTION OR DISCLOSURE TO THIRD PARTIES IN ANY FORM WHATSOEVER IS NOT PERMITTED WITHOUT WRITTEN AUTHORITY FROM CRAFT METALS PTY LTD.